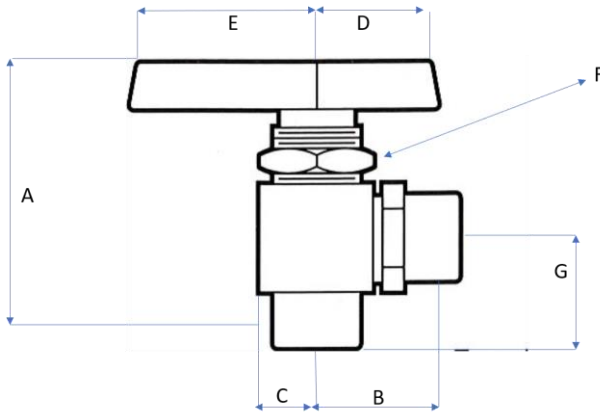


392BV Series

2-Way Instrumentation Valve



Kantleak™ Instrumentation Ball Valves are designed with double O-ring seal providing over 20,000 cycles without leakage and an exclusive stem seal that never needs tightening. Valves can be panel mounted for instrumentation applications.

- ASTM B-16 Corrosion Resistant Brass Body
 - Chrome plated brass ball
 - Blow-out proof stem
 - Quarter Turn Handle for Instantaneous On-Off Operations
- Pressure Rating:
Up to 1,500 P.S.I.

Part No.	A	B	C	D	E	F	G
392BV-J	2.12	0.91	0.38	0.85	1.15	0.83	0.56
392BV-JxL	2.12	0.91	0.38	0.85	1.15	0.83	0.56
392BV-LxJ	2.59	1.1	0.71	0.85	1.15	1.18	0.56
392BV-LxL	2.59	1.187	0.71	0.85	1.15	1.18	0.56

Part No.	FNPT	MNPT
392BV-J	1/8"	x 1/8"
392BV-L	1/4"	x 1/4"
392BV-N	3/8"	x 3/8"
392BV-P	1/2"	x 1/2"