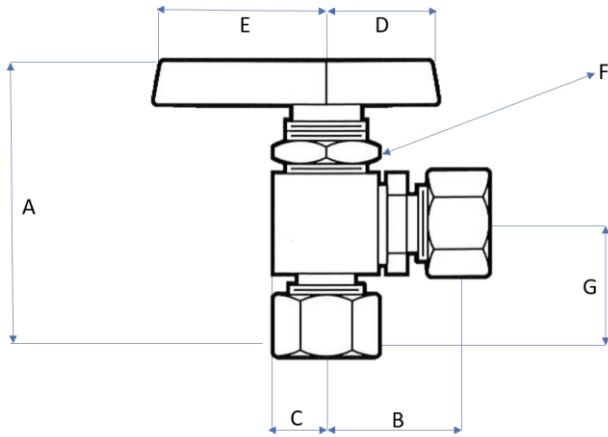


# 394BV Series

## 2-Way 90° Instrumentation Valve



**Kantleak™** Instrumentation Ball Valves are designed with double O-ring seal providing over 20,000 cycles without leakage and an exclusive stem seal that never needs tightening. Valves can be panel mounted for instrumentation applications.

- ASTM B-16 Corrosion Resistant Brass Body
  - Chrome plated brass ball
  - Blow-out proof stem
  - Quarter Turn Handle for Instantaneous On-Off Operations
- Pressure Rating:  
Up to 1,500 P.S.I.

Part No.	A	B	C	D	E	G	F
394BVS-2	1.97	0.89	0.38	0.85	1.15	0.73	0.56
394BVS-4	2.04	0.97	0.38	0.85	1.15	0.81	0.56
394BVS-6	2.09	1.02	0.75	0.85	1.15	0.86	0.56
394BVS-8	2.45	1.19	0.75	0.85	1.15	0.87	0.56

Part No.	Shur Lok Compression (Double Ferrule)	Shur-Lok Compression (Double Ferrule)
394BVS-2	1/8"	X
394BVS-4	1/4"	X
394BVS-6	3/8"	X
394BVS-8	1/2"	X