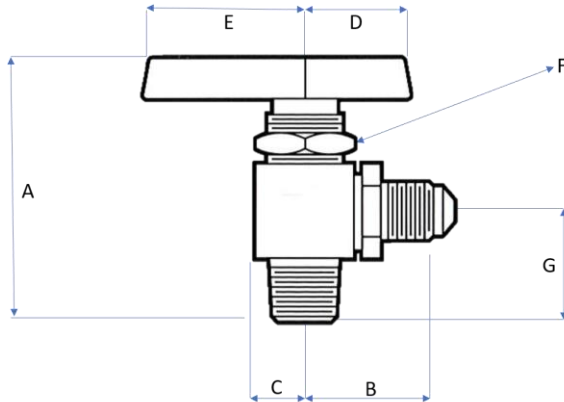


# 395BV Series

## 2-Way 90° Instrumentation Valve



**Kantleak™** Instrumentation Ball Valves are designed with double O-ring seal providing over 20,000 cycles without leakage and an exclusive stem seal that never needs tightening. Valves can be panel mounted for instrumentation applications.

- ASTM B-16 Corrosion Resistant Brass Body
- Chrome plated brass ball
- Blow-out proof stem
- Quarter Turn Handle for Instantaneous On-Off Operations

Pressure Rating:  
Up to 1,500 P.S.I.

Part No.	A	B	C	D	E	G	F
395BV-4J	2.12	1.05	0.38	0.85	1.15	0.82	0.56
395BV-4L	2.12	1.05	0.38	0.85	1.15	0.83	0.56
395BV-4N	2.13	1.05	0.38	0.85	1.15	0.84	0.56
395BV-6J	2.12	1.18	0.38	0.85	1.15	0.82	0.56
395BV-6L	2.12	1.18	0.38	0.85	1.15	0.83	0.56
395BV-6N	2.13	1.18	0.38	0.85	1.15	0.84	0.56

Part No.	Flare	MNPT
395BV-4J	1/4"	X 1/8"
395BV-4L	1/4"	X 1/4"
395BV-4N	1/4"	X 3/8"
395BV-6J	3/8"	X 1/8"
395BV-6L	3/8"	X 1/4"
395BV-6N	3/8"	X 3/8"