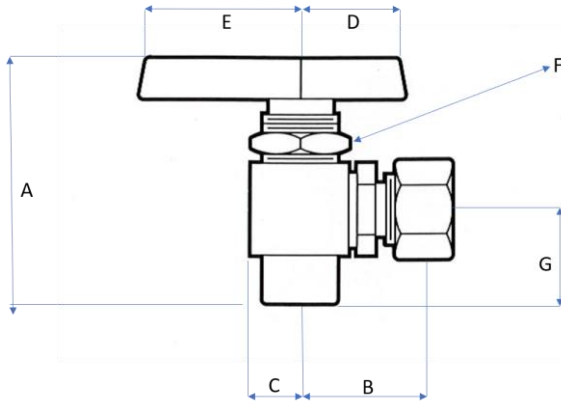


399BV Series

2-Way 90° Instrumentation Valve



Kantleak™ Instrumentation Ball Valves are designed with double O-ring seal providing over 20,000 cycles without leakage and an exclusive stem seal that never needs tightening. Valves can be panel mounted for instrumentation applications.

- ASTM B-16 Corrosion Resistant Brass Body
- Chrome plated brass ball
- Blow-out proof stem
- Quarter Turn Handle for Instantaneous On-Off Operations

Pressure Rating:
Up to 1,500 P.S.I.

Part No.	A	B	C	D	E	G	F
399BV-4J	2.1	0.915	0.38	0.85	1.15	0.89	0.56
399BV-4L	2.11	0.915	0.38	0.85	1.15	0.89	0.56
399BV-6J	2.1	0.915	0.38	0.85	1.15	0.89	0.56
399BV-6L	2.11	0.915	0.38	0.85	1.15	0.89	0.56

Part No.	Compression (Single Ferrule)	FNPT
399BV-4J	1/4"	X 1/8"
399BV-4L	1/4"	X 1/4"
399BV-6J	3/8"	X 1/8"
399BV-6L	3/8"	X 1/4"