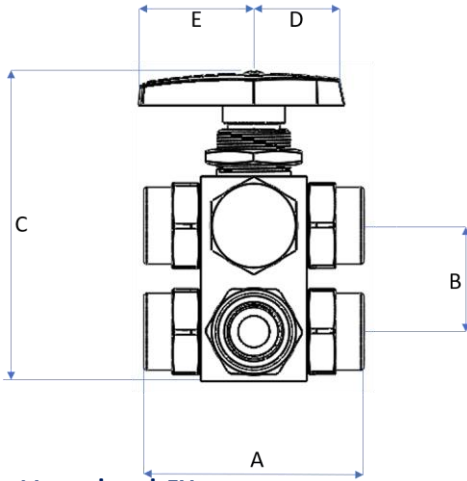


9000BV Series

8 & 9-Way Multi Port Panel Mount Instrumentation Ball Valve



Kantleak™ 8 & 9-Way Instrumentation Ball Valves are designed with double O-ring seal providing over 20,000 cycles without leakage and an exclusive stem seal that never needs tightening. These valves enable you to direct a number of flows through two different balls with a single handle. Valves can be panel mounted for instrumentation applications. Applications include manifold switching, pressure selecting and venting, instrumentation test equipment, media sampling, and distribution systems. Porting options are available.

- Bar Stock Brass Body
- Blow Out Proof Stem
- Metal Seal Retainer

Pressure Rating:
Up to 1,500 P.S.I.
Temperature Rating
-40° to 300° F

Part No.	A	B	C	D	E
9222B-8TTJJxJ	2.07	0.97	3.56	1.13	1.38
9222B-8TTLLxL	2.07	0.97	3.56	1.13	1.38
9222B-8TTNNxN	2.60	1.25	3.63	1.13	1.38
9222B-8TTPPxP	2.60	1.25	3.63	1.13	1.38

Part No.	All End Connections X 8 OR 9
9222B-8TTJJxJ	1/8"
9222B-8TTLLxL	1/4"
9222B-8TTNNxN	3/8"
9222B-8TTPPxP	1/2"