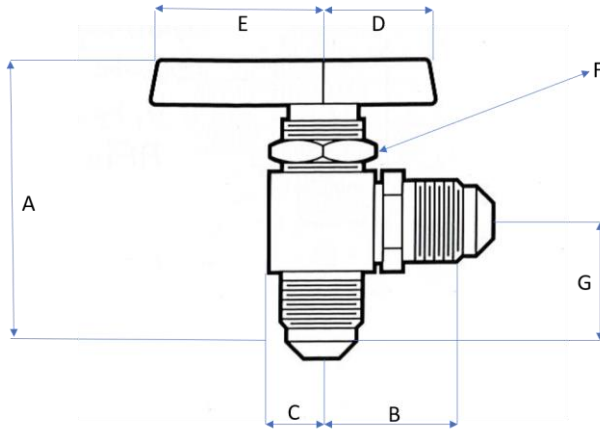


396BV Series

2-Way 90° Instrumentation Valve



Kantleak™ Instrumentation Ball Valves are designed with double O-ring seal providing over 20,000 cycles without leakage and an exclusive stem seal that never needs tightening. Valves can be panel mounted for instrumentation applications.

- ASTM B-16 Corrosion Resistant Brass Body
 - Chrome plated brass ball
 - Blow-out proof stem
 - Quarter Turn Handle for Instantaneous On-Off Operations
- Pressure Rating:
Up to 1,500 P.S.I.

Part No.	A	B	C	D	E	G	F
396BV-4X4	2.18	1.05	0.38	0.85	1.15	0.89	0.56
396BV-4x6	2.19	1.05	0.38	0.85	1.15	1.01	0.56
396BV-6x4	2.18	1.18	0.38	0.85	1.15	0.89	0.56
396BV-6X6	3.3	1.18	0.38	0.85	1.15	1.01	0.56

Part No.	Flare	Part No.	Flare
396BV-4X4	1/4"	X	1/4"
396BV-4x6	1/4"	X	3/8"
396BV-6x4	3/8"	X	1/4"
396BV-6X6	3/8"	X	3/8"