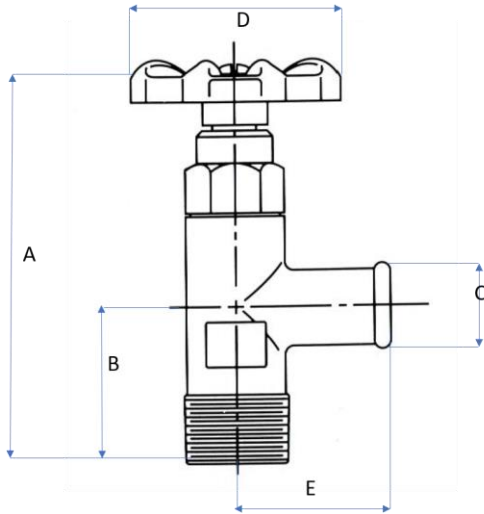


# 97 Series

## Rising Stem Valve



**97 Series** Rising Stem Valves are used extensively in the industrial, heavy duty construction equipment and mobile fleet markets. They are high flow valves recommended for operation with gasoline, oil, kerosene, LP gas, gas-air mixtures, cooling systems and air systems.

Pressure Rating:  
200 P.S.I.

Part No.	A	B	C	D	E
97V-10N	2.28	1.00	0.41	1.50	1.12
97V-10P	2.93	1.00	0.44	1.73	1.12

Part No.	I.D. Hose	Pipe Thread
97V-10N	5/8"	X 3/8"
97V-10P	5/8"	X 1/2"