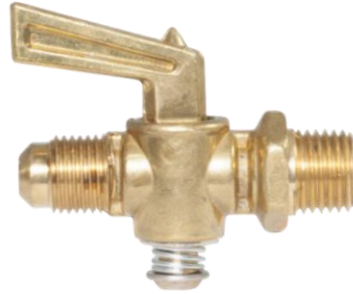
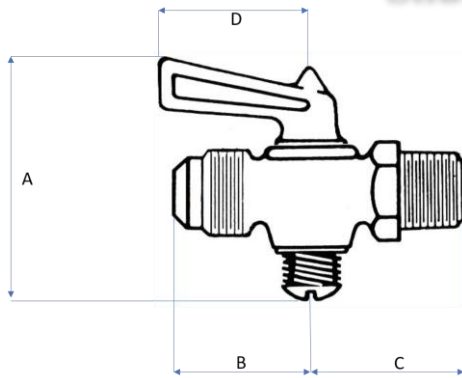


# 135 Series

## Shut-off Valve



**Instantaneous** off-on operation with 360° rotation. The lapped brass body and plug are individually mated, providing an excellent quality, low friction valve. Valves are extensively used for water process piping and air supply systems.

- 90° rotation available

Pressure Rating:  
30 P.S.I.

Temperature Rating:  
-40° to 250° F

Part No.	A	B	C	D
135C-4J	1.88	0.94	1.06	1.00
135C-4L	1.88	1.02	1.11	1.00
135C-5J	1.88	0.97	1.06	1.00
135C-5L	1.88	0.99	2.10	1.00
135C-6L	1.88	1.05	1.12	1.00
135C-6N	2.31	1.09	1.09	1.12
135C-8N	2.31	1.12	1.22	1.12

Part No.	O.D. Tube		MNPT
135C-4J	1/4"	X	1/8"
135C-4L	1/4"	X	1/4"
135C-5J	5/16"	X	1/8"
135C-5L	5/16"	X	1/4"
135C-6L	3/8"	X	1/4"
135C-6N	3/8"	X	3/8"
135C-8N	1/2"	X	3/8"