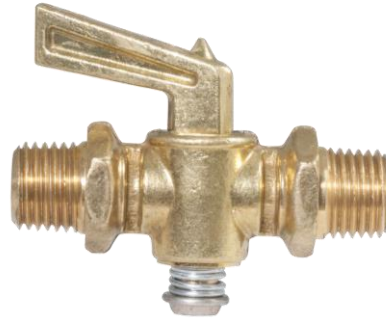
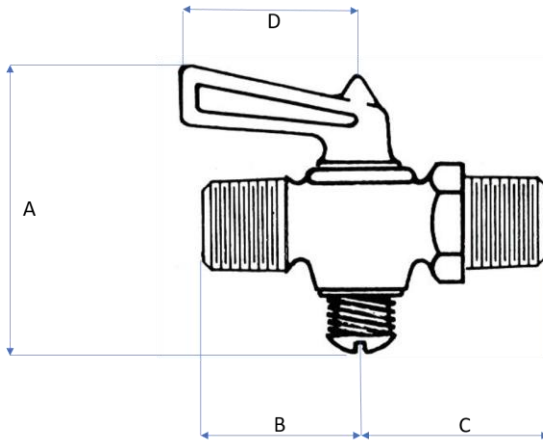


# 131 Series

## Shut-off Valve



**Instantaneous** off-on operation with 360° rotation. The lapped brass body and plug are individually mated, providing an excellent quality, low friction valve. Valves are extensively used for water process piping and air supply systems.

- 90° rotation available

Pressure Rating:  
30 P.S.I.

Temperature Rating:  
-40° to 250° F

Part No.	A	B	C	D
131C-J	1.88	0.84	1.06	1.00
131C-L	1.88	1.11	2.23	1.00
131C-N	2.31	1.22	1.22	1.12

Part No.	MNPT
131C-J	1/8"
131C-L	1/4"
131C-N	3/8"