

1000WOG SIZE:
1/4"-2"



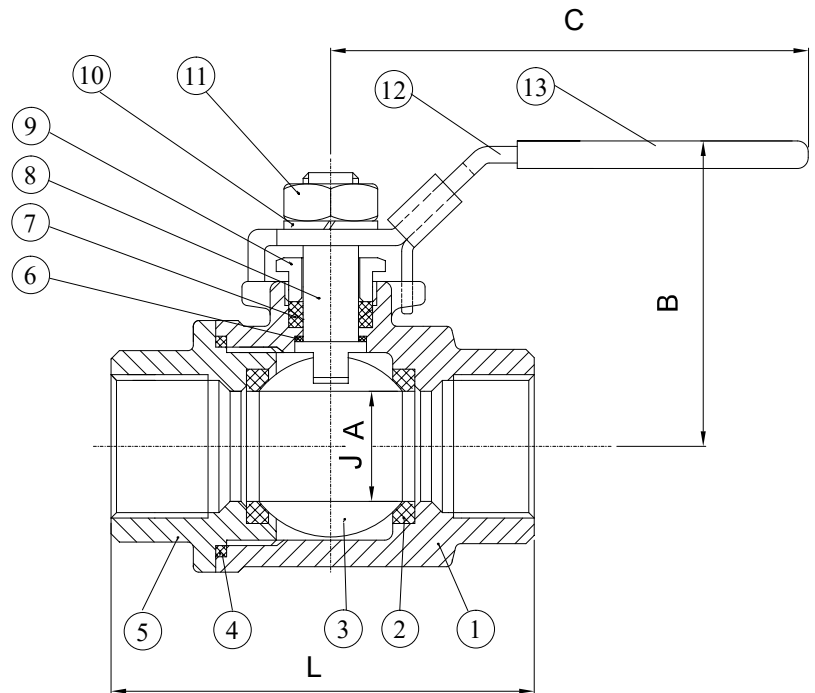
Z201F, 2-piece ball valve is designed with full port flow for most industrial applications. This economical design is a standard in the industry.

SPECIFICATION

- * For chemical and industrial applications
- * Blow-out proof stem design
- * 100% air tested under water at 80-100 psi
- * Working pressure: 1000 PSI
- * Temperature range -20°F to 400°F
- * End type: threaded
- * Locking Device

OPTIONS

- * Oval handle
- * Butterfly handle
- * RPTFE Seats



MATERIALS LIST

ITEM	PART NAME	MATERIALS
1	BODY	CF8M
2	SEAT	PTFE
3	BALL	SS 316
4	GASKET	PTFE
5	END CAP	CF8M
6	THRUST WASHER	PTFE
7	STEM PACKING	PTFE
8	STEM	SS 316
9	GLAND	SS 304
10	STEM WASHER	SS 304
11	HANDLE NUT	SS 304
12	HANDLE	SS 304
13	SLEEVE	PLASTIC

DIMENSIONS (mm)

SIZE	L	A	B	C
1/4"	46.6	11.5	50	75
3/8"	46.6	12.5	50	75
1/2"	56.3	15	56.5	95
3/4"	61.5	20	60.5	95
1"	75.5	24	68.8	120
1 1/4"	85.8	31	75	120
1 1/2"	94.8	37	83.5	150
2"	114.2	50	95	150

PRESSURE/ TEMPERATURE

