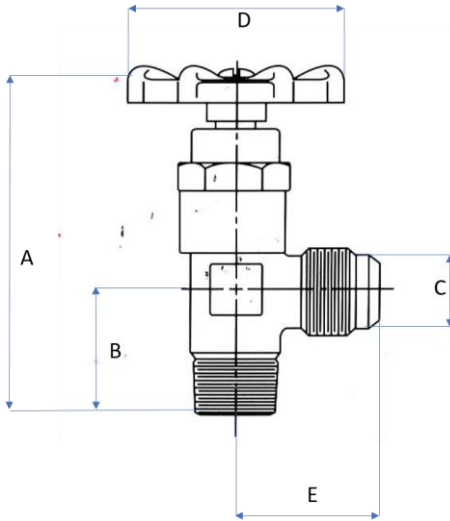


905 Series

Rising Stem Valve



905 Series Rising Stem Valves are used extensively in the industrial, heavy duty construction equipment and mobile fleet markets. They are high flow valves recommended for operation with gasoline, oil, kerosene, LP gas, gas-air mixtures, cooling systems and air systems.

Pressure Rating:
200 P.S.I.

Part No.	A	B	C	D	E
905V-10P					
905V-8P					

Part No.	O.D. Tube	MNPT
905V-10P	5/8"	X 1/2"
905V-8P		