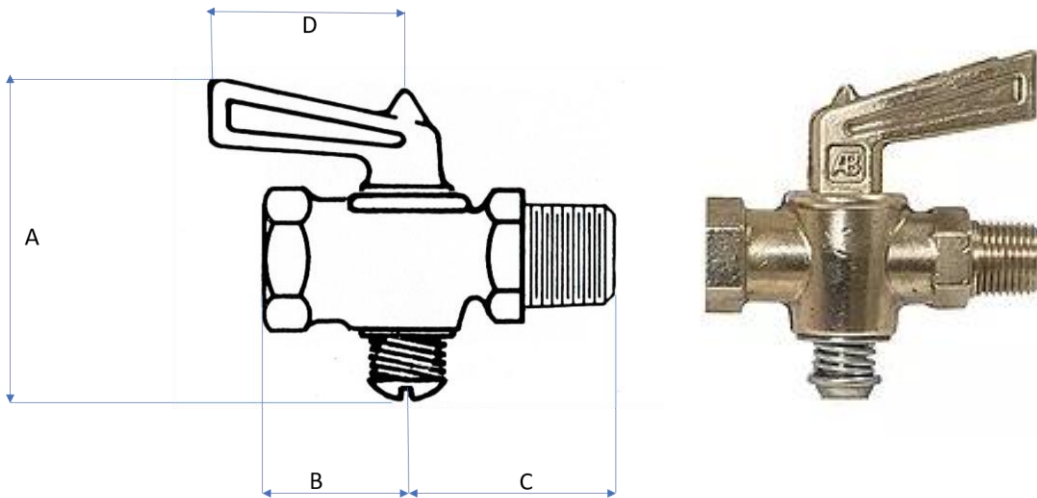


# 130 Series

## Shut-off Valve



**Instantaneous** off-on operation with 360° rotation. The lapped brass body and plug are individually mated, providing an excellent quality, low friction valve. Valves are extensively used for water process piping and air supply systems.

- 90° rotation available

Pressure Rating:  
30 P.S.I.

Temperature Rating:  
-40° to 250° F

Part No.	A	B	C	D
130C-J	1.88	0.72	1.00	1.00
130C-L	1.88	1.14	2.25	1.00
130C-N	2.31	1.12	1.22	1.12

Part No.	FNPT	MNPT
130C-J	1/8"	X
130C-L	1/4"	X
130C-N	3/8"	X