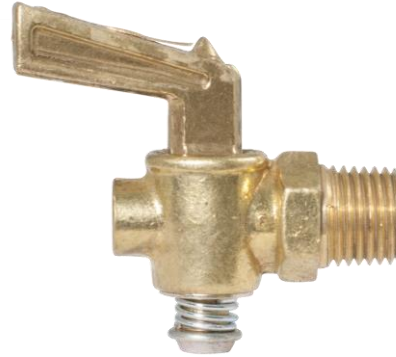
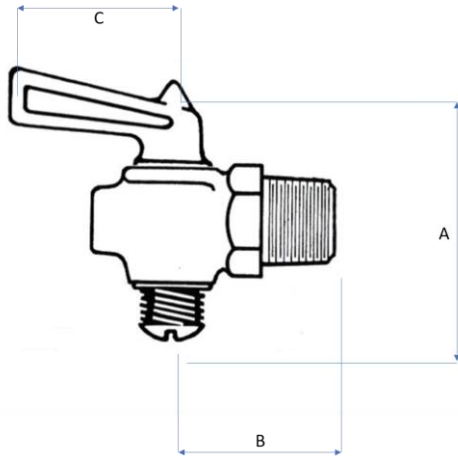


H30 Series

Drain Valve



Instantaneous off-on operation with 360° rotation. The lapped brass body and plug are individually mated, providing an excellent quality, low friction valve. Valves are extensively used for water process piping and air supply systems.

- 90° rotation available

Pressure Rating:
30 P.S.I.

Temperature Rating:
-40° to 250° F

| Part No. | A | B | C | D |
|----------|------|------|------|------|
| H30CJ | 2.00 | 0.50 | 0.97 | 1.00 |
| H30CL | 2.00 | 0.50 | 1.03 | 1.00 |

| Part No. | |
|----------|------|
| H30C-J | 1/8" |
| H30C-L | 1/4" |