

Miniature Ball Valves are designed with an exclusive stem seal that never needs tightening. These valves provide reliability and quality in compact sizes, ideal for tight and confined spaces.

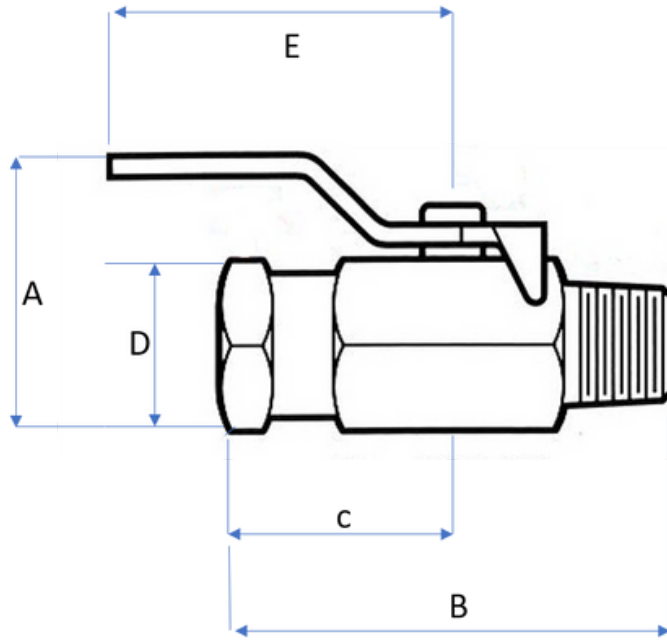
Pressure Rating:

Up to 1,000 PSI

- Forged, ASTM B-16 corrosive-resistant brass body
- Quarter-Turn handle design for instantaneous on-off operation
- Blow out proof stem
- 1/4" diameter orifice

Part #	FNPT		MNPT
350BV-J	1/8"	X	1/8"
350BV-JxL	1/8"	X	1/4"
350BV-JxN	1/8"	X	3/8"
350BV-LxJ	1/4"	X	1/8"
350BV-L	1/4"	X	1/4"
350BV-LxN	1/4"	X	3/8"

Dimensions



Part #	A	B	C	D	E
350BV-J	1.25	1.88	1.50	0.75	1.63
350BV-JXL	1.25	1.90	1.50	0.75	1.63
350BV-JXN	1.25	1.94	1.13	0.75	1.63
350BV-LXJ				0.75	1.63
350BV-L	1.25	1.88	1.13	0.75	1.63
350BV-LXN	1.25	2.02	1.13	0.75	1.63