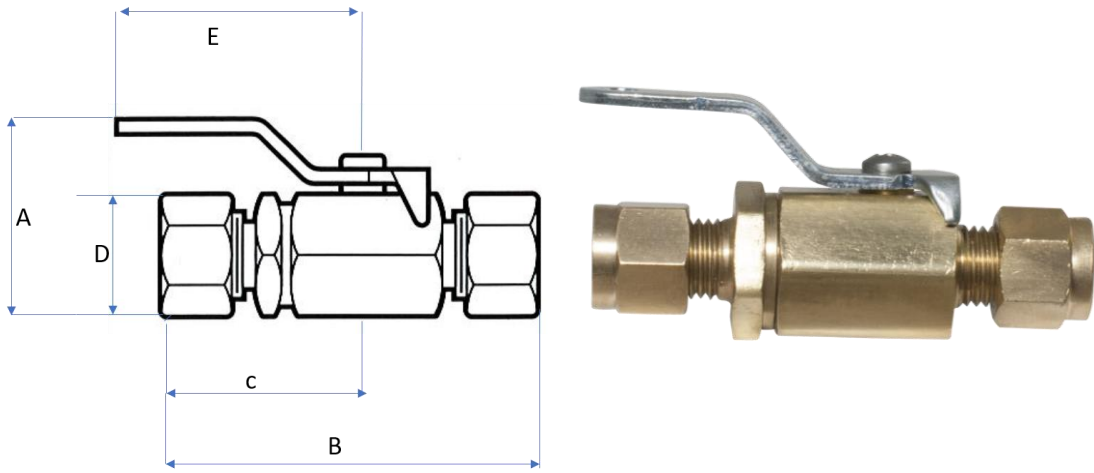


# 354BV Series

## 2-Way Miniature Ball Valve



Miniature Ball Valves are designed with an exclusive stem seal that never needs tightening. These valves provide reliability and quality in compact sizes, ideal for tight and confined spaces.

- Forged, ASTM B-16 corrosive-resistant brass body
- Quarter-Turn handle design for instantaneous on-off operation
- Blow out proof stem
- 1/4" diameter orifice

Pressure Rating:  
Up to 1,000 P.S.I.

Part No.	A	B	C	D	E
354BV-4	1.25	1.88	1.13	0.75	1.63
354BV-4x6	1.25	1.85	1.11	0.75	1.63
354BV-6	1.25	1.94	1.16	0.75	1.63
354BVS-2				0.75	1.63
354BVS-4	1.25	1.88	1.13	0.75	1.63
354BVS-6	1.25	1.94	1.16	0.75	1.63

Part No.	Shur-Lok (Double Ferrule)		Shur-Lok (Double Ferrule)
354BV-4	1/4"	X	1/4"
354BV-4x6	1/4"	X	3/8"
354BV-6	3/8"	X	3/8"
354BVS-2	1/8"	X	1/8"
354BVS-4	1/4"	X	1/4"
354BVS-6	3/8"	X	3/8"