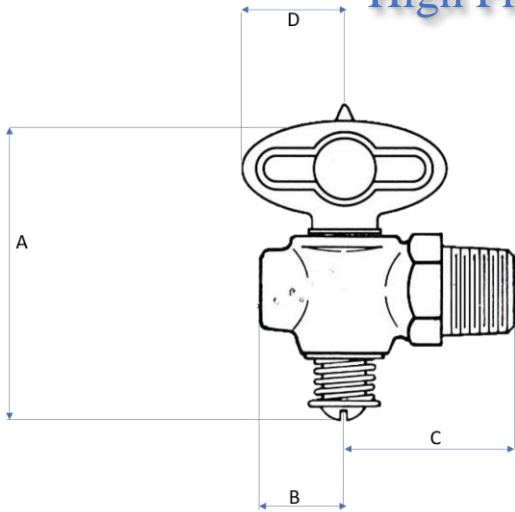


H35 Series

High Pressure Drain Valve



Instantaneous off-on operation with 360° rotation. The lapped brass body and plug are individually mated, providing an excellent quality, low friction valve. Valves are extensively used for water process piping and air supply systems.

- 90° rotation available

Pressure Rating:
150 P.S.I.

Temperature Rating:
-40° to 250° F

Part No.	A	B	C	D
H35C-J	2.00	0.50	0.97	1.00
H35C-L	2.00	0.50	1.03	1.00

Part No.	
H35C-J	1/8"
H35C-L	1/4"