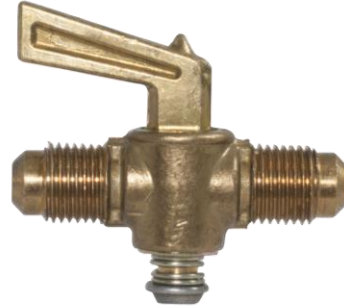
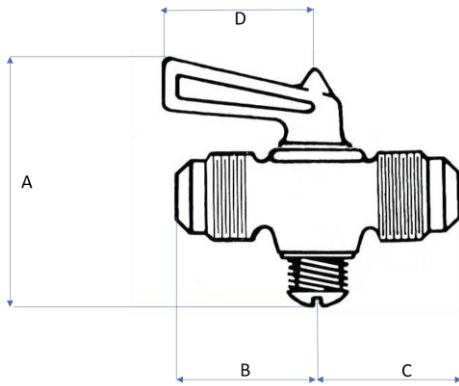


# 136 Series

## Shut-off Valve



**Instantaneous** off-on operation with 360° rotation. The lapped brass body and plug are individually mated, providing an excellent quality, low friction valve. Valves are extensively used for water process piping and air supply systems.

- 90° rotation available

Pressure Rating:

30 P.S.I.

Temperature Rating:

-40° to 250° F

Part No.	A	B	C	D
136C-4	1.88	0.94	0.94	1.00
136C-5	1.88	0.94	0.94	1.00
136C-6	1.88	1.05	1.06	1.00
136C-8	2.31	1.25	1.25	1.12

Part No.	O.D. Tube
136C-4	1/4"
136C-5	5/16"
136C-6	3/8"
136C-8	1/2"