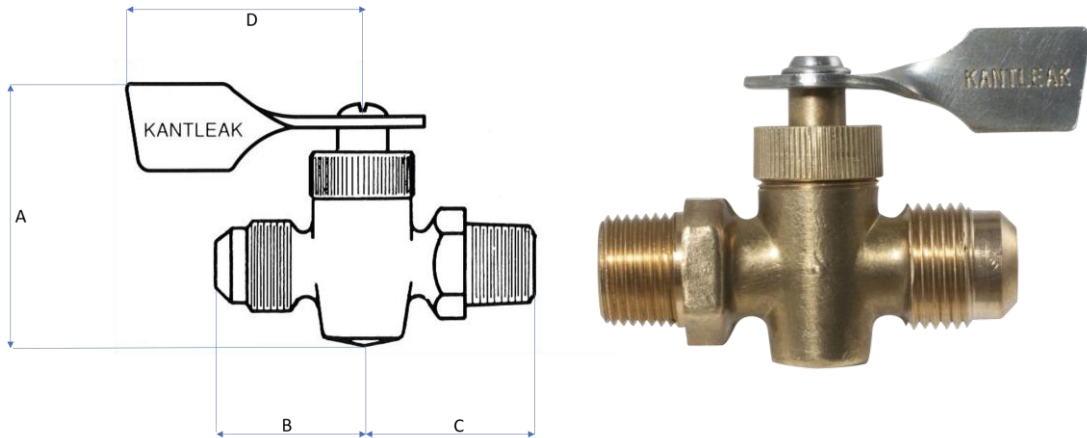


175 Series

2-Way Shut-Off Valve



The 170 Series 2-Way Shut-Off Plug Valve features instantaneous on-off operation. This series has a solid bottom and is O-ring sealed. The O-ring seal, unlike packings, require no maintenance. The lapped brass body and plug are individually mated to provide an excellent seal. Generally recommended for gasoline, oil, kerosene, LP gas, gas-air mixtures, and air system applications.

- Lapped brass body and plug
- Instantaneous on-off operation

Pressure Rating:
30 P.S.I.

Part No.	A	B	C	D
175C4L	1.88	0.94	1.16	1.62
175C5J	1.88	0.94	1.06	1.62
175C5L				
175C6L	1.88	1.03	1.16	1.62
175C6N	1.95	1.06	1.28	1.60
175C6P	1.88	1.12	1.50	1.62
175C8N	1.95	1.15	1.28	1.60

Part No.	FLARE		MNPT
175C4L	1/4"	X	1/4"
175C5J	5/16"	X	1/8"
175C5L	5/16"	X	1/4"
175C6L	3/8"	X	1/4"
175C6N	3/8"	X	3/8"
175C6P	3/8"	X	1/2"
175C8N	1/2"	X	3/8"