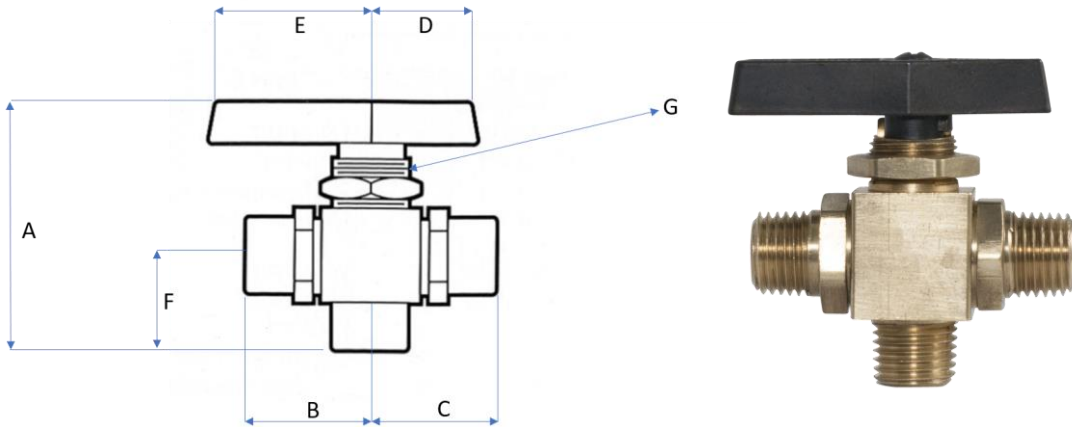


3211BV Series

3-Way Panel Mount Instrumentation Ball Valve



Kantleak™ Instrumentation Ball Valves are designed with double O-ring seal providing over 20,000 cycles without leakage and an exclusive stem seal that never needs tightening. Valves can be panel mounted for instrumentation applications.

- ASTM B-16 Corrosion Resistant Brass Body
 - Chrome plated brass ball
 - Blow-out proof stem
 - Quarter Turn Handle for Instantaneous On-Off Operations
- Pressure Rating:
Up to 1,500 P.S.I.

Part No.	A	B	C	D	E	F	G
3211BV-JJXJ	2.06	0.95	0.95	0.85	1.15	0.77	0.56
3211BV-LLXL	2.12	0.99	0.99	0.85	1.15	0.86	0.56
3211BV-NNXN	2.68	1.34	1.34	0.85	1.15	1.18	0.56
3211BV-PPXP	2.52	1.30	1.30	0.85	1.15	1.18	0.56

Part No.	MNPT		MNPT		MNPT
3211BV-JJXJ	1/8"	X	1/8"	X	1/8"
3211BV-LLXL	1/4"	X	1/4"	X	1/4"
3211BV-NNXN	3/8"	X	3/8"	X	3/8"
3211BV-PPXP	1/2"	X	1/2"	X	1/2"