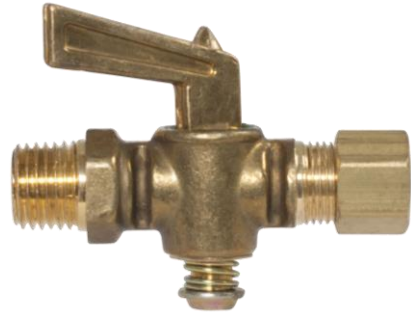
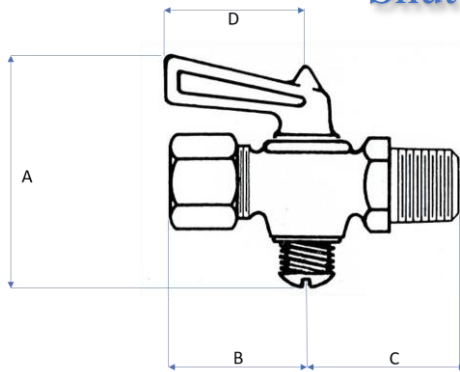


# 133 Series

## Shut-off Valve



Instantaneous off-on operation with 360° rotation. The lapped brass body and plug are individually mated, providing an excellent quality, low friction valve. Valves are extensively used for water process piping and air supply systems.

- 90° rotation available

Pressure Rating:  
30 P.S.I.

Temperature Rating:  
-40° to 250° F

Part No.	A	B	C	D
133C-4J	1.88	0.75	1.06	1.00
133C-4L	1.90	0.86	1.12	1.00
133C-5J	1.88	0.81	1.06	1.00
133C-5L	1.90	0.83	1.12	1.00
133C-6L	1.90	0.87	1.11	1.00
133C-6N	2.31	0.88	1.09	1.12
133C-8N				

Part No.	O.D. Tube		MNPT
133C-4J	1/4"	X	1/8"
133C-4L	1/4"	X	1/4"
133C-5J	5/16"	X	1/8"
133C-5L	5/16"	X	1/4"
133C-6L	3/8"	X	1/4"
133C-6N	3/8"	X	3/8"
133C-8N	1/2"	X	3/8"