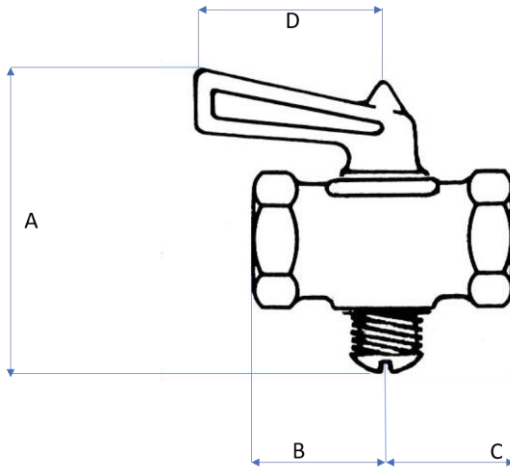


132 Series

Shut-off Valve



Instantaneous off-on operation with 360° rotation. The lapped brass body and plug are individually mated, providing an excellent quality, low friction valve. Valves are extensively used for water process piping and air supply systems.

- 90° rotation available

Pressure Rating:
30 P.S.I.

Temperature Rating:
-40° to 250° F

Part No.	A	B	C	D
132C-J	1.88	0.73	0.73	1.00
132C-L	1.88	1.14	2.28	1.00
132C-N	2.31	1.12	1.12	1.12
132C-P				

Part No.	FNPT
132C-J	1/8"
132C-L	1/4"
132C-N	3/8"
132C-P	1/2"