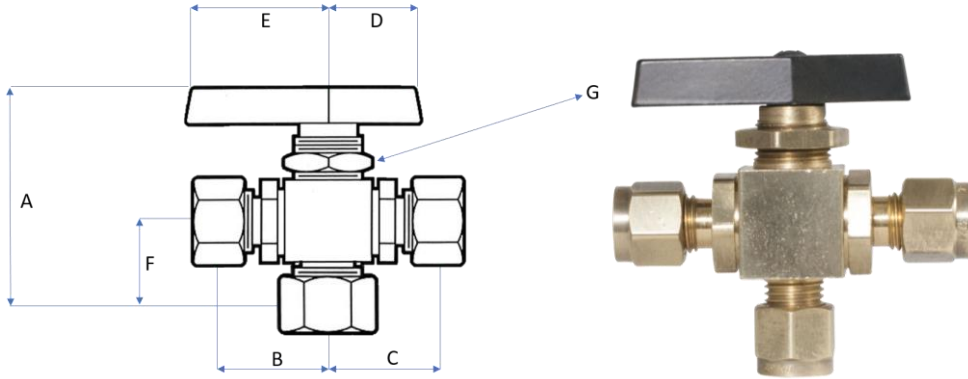


# 3244BV Series

## 3-Way Panel Mount Instrumentation Ball Valve



Kantleak™ Instrumentation Ball Valves are designed with double O-ring seal providing over 20,000 cycles without leakage and an exclusive stem seal that never needs tightening. Valves can be panel mounted for instrumentation applications.

- ASTM B-16 Corrosion Resistant Brass Body
  - Chrome plated brass ball
  - Blow-out proof stem
  - Quarter Turn Handle for Instantaneous On-Off Operations
- Pressure Rating:  
Up to 1,500 P.S.I.

Part No.	A	B	C	D	E	F	G
3244BV-S2	1.97	0.89	0.89	0.85	1.15	0.79	0.56
3244BV-S4	2.04	0.97	0.97	0.85	1.15	0.81	0.56
3244BV-S6	2.09	1.02	1.02	0.85	1.15	0.86	0.56
3244BV-S8	2.45	1.19	1.19	0.85	1.15	1.01	0.56

Part No.	Compression (Double Ferrul)	Compression (Double Ferrul)	Compression (Double Ferrul)
3244BV-S2	1/8"	X	1/8"
3244BV-S4	1/4"	X	1/4"
3244BV-S6	3/8"	X	3/8"
3244BV-S8	1/2"	X	1/2"