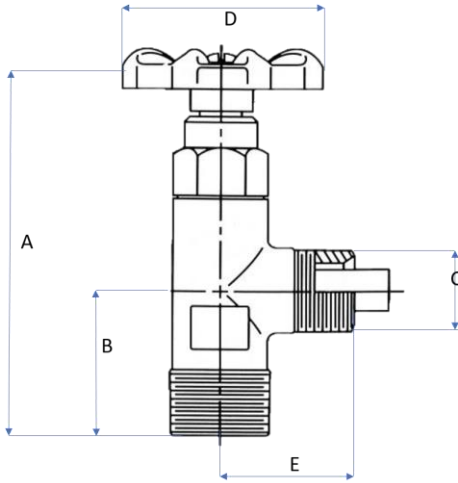


93 Series

Rising Stem Valve



93 Series Rising Stem Valves are used extensively in the industrial, heavy duty construction equipment and mobile fleet markets. They are high flow valves recommended for operation with gasoline, oil, kerosene, LP gas, gas-air mixtures, cooling systems and air systems.

Pressure Rating:
200 P.S.I.

Part No.	A	B	C	D	E
93V-8P	3.25	1.12		1.75	1.15
93V-P8	3.25	1.15	0.56	1.75	1.12

Part No.	O.D. Tube		MNPT
93V-8P	1/2" Side Port	X	1/2" Bottom Port
93V-P8	1/2" Bottom Port	X	1/2" Side Port