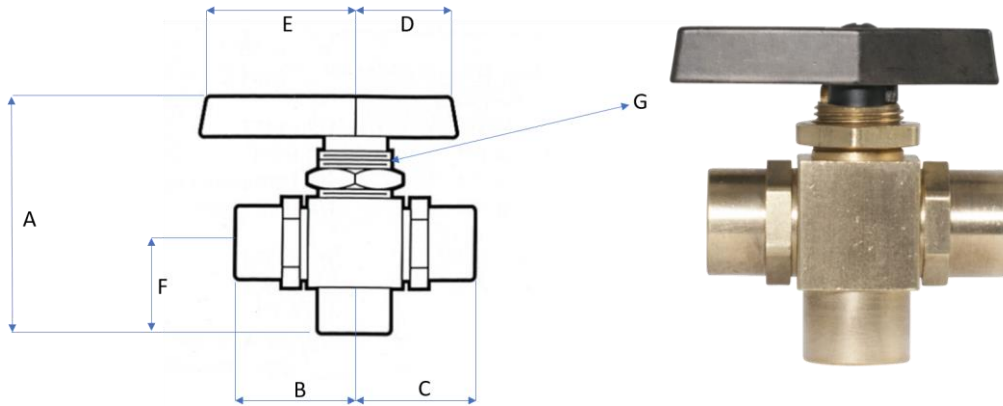


# 3222BV Series

## 3-Way Panel Mount Instrumentation Ball Valve



Kantleak™ Instrumentation Ball Valves are designed with double O-ring seal providing over 20,000 cycles without leakage and an exclusive stem seal that never needs tightening. Valves can be panel mounted for instrumentation applications.

- ASTM B-16 Corrosion Resistant Brass Body
  - Chrome plated brass ball
  - Blow-out proof stem
  - Quarter Turn Handle for Instantaneous On-Off Operations
- Pressure Rating:  
Up to 1,500 P.S.I.

| Part No.    | A    | B    | C    | D    | E    | F    | G    |
|-------------|------|------|------|------|------|------|------|
| 3222BV JJxJ | 2.12 | 0.91 | 0.91 | 0.85 | 1.15 | 0.83 | 0.56 |
| 3222BV LLxL | 2.12 | 0.91 | 0.91 | 0.85 | 1.15 | 0.83 | 0.56 |
| 3222BV NNxN | 2.59 | 1.10 | 1.10 | 0.85 | 1.15 | 1.18 | 0.56 |
| 3222BV PPxP | 2.6  | 1.18 | 1.18 | 0.85 | 1.15 | 1.18 | 0.56 |

| Part No.    | FNPT |   | FNPT |   | FNPT |
|-------------|------|---|------|---|------|
| 3222BV JJxJ | 1/8" | X | 1/8" | X | 1/8" |
| 3222BV LLxL | 1/4" | X | 1/4" | X | 1/4" |
| 3222BV NNxN | 3/8" | X | 3/8" | X | 3/8" |
| 3222BV PPxP | 1/2" | X | 1/2" | X | 1/2" |