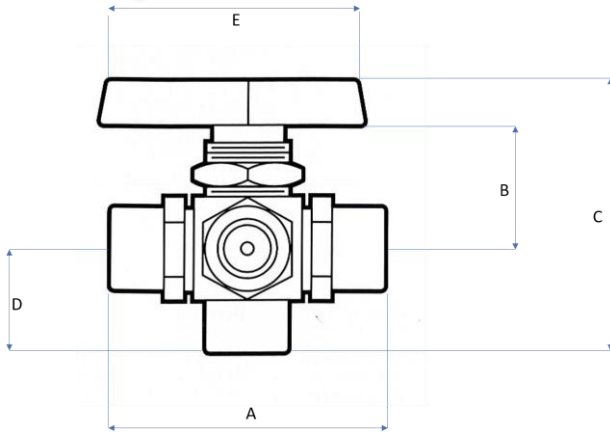


5200BV Series

5-Way Multi Port Panel Mount Instrumentation Ball Valve



Kantleak™ 5-Way Instrumentation Ball Valves are designed with double O-ring seal providing over 20,000 cycles without leakage and an exclusive stem seal that never needs tightening. Valves can be panel mounted for instrumentation applications. Applications include refrigerant service, oxygen and vacuum service. Porting options are available

- Bar Stock Brass Body
- Blow Out Proof Stem
- Metal Seal Retainer

Pressure Rating:
Up to 1,500 P.S.I.
Temperature Rating
-40° to 300° F

Part No.	A	B	C	D
4222BV-J	2.10	0.86	2.39	2.45
4222BV-L	2.10	0.86	2.39	2.45
4222BV-N	2.60	1.21	2.94	2.45
4222BV-P	2.60	1.21	2.94	2.45

Part No.	FNPT		FNPT		FNPT		FNPT
4222BV-J	1/8"	X	1/8"	X	1/8"	X	1/8"
4222BV-L	1/4"	X	1/4"	X	1/4"	X	1/4"
4222BV-N	3/8"	X	3/8"	X	3/8"	X	3/8"
4222BV-P	1/2"	X	1/2"	X	1/2"	X	1/2"