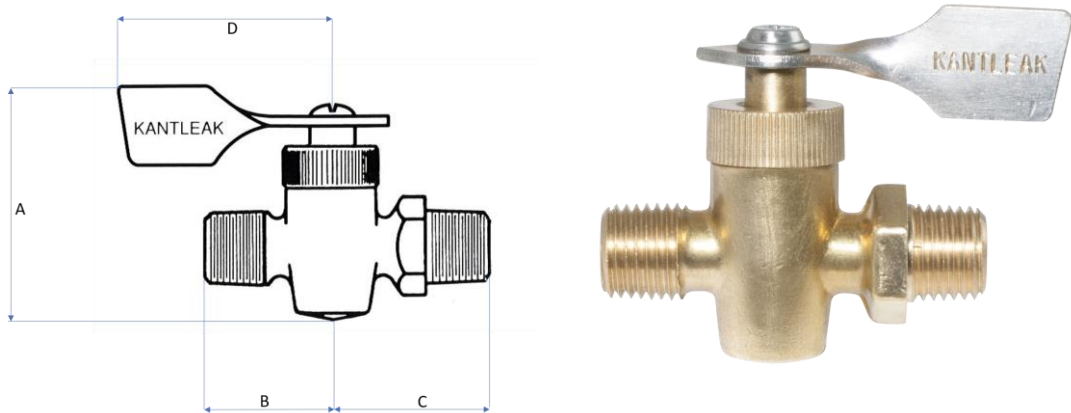


171 Series

2-Way Shut-Off Valve



The 170 Series 2-Way Shut-Off Plug Valve features instantaneous on-off operation. This series has a solid bottom and is O-ring sealed. The O-ring seal, unlike packings, require no maintenance. The lapped brass body and plug are individually mated to provide an excellent seal. Generally recommended for gasoline, oil, kerosene, LP gas, gas-air mixtures, and air system applications.

- Lapped brass body and plug
- Instantaneous on-off operation

Pressure Rating:
30 P.S.I.

Part No.	A	B	C	D
171C-J	1.88	0.84	1.06	1.62
171C-L	1.88	0.94	1.16	1.62
171C-N	1.88	1.28	1.28	1.62

Part No.	MNPT		MNPT
171C-J	1/8"	X	1/8"
171C-L	1/4"	X	1/4"
171C-N	3/8"	X	3/8"