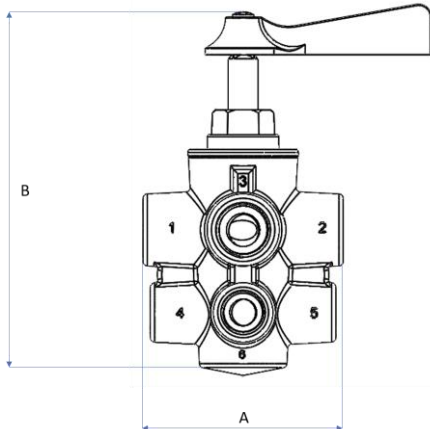


6 Port Series

6-Way Selector Valve



The Six Port Selector Valves are designed for engine applications where a fuel return or spill back is required. The closed bottom with O-ring sealed cap and stem eliminates external leakage. These valves are widely used in the trucking and marine industry, along with manufactures of diesel generating plants. The specially formulated high temperature, low friction grease permits sealing and ease of turning from -40° to 180° F at a maximum operating pressure of 15 P.S.I.

Pressure Rating:
Maximum Operating Pressure 15 P.S.I.
Temperature Rating:
-40° to 180° F

Part No.	A	B
SK1031	2.90	0.34
SK1036	2.90	0.34
SP2381CM	2.90	0.34
SP2483CM	2.90	0.34
SP2486CM	2.90	0.34

Part No.	FNPT		FNPT	Length of Stem	Type
SK1031	1/2"	X	3/8"	5/16"	1
SK1036	1/2"	X	3/8"	13/16"	1
SP2381CM	1/2"	X	3/8"	5/16"	2
SP2483CM	1/2"	X	3/8"	5/16"	3
SP2486CM	1/2"	X	3/8"	13/16"	3