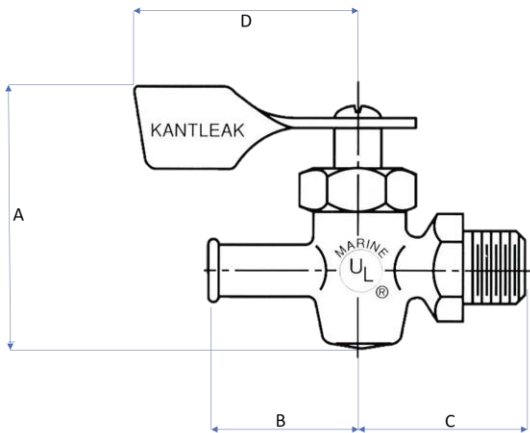


M677 Series

Marine Fuel Shut Off Valve



The Kantleak™ Marine Fuel Shut Off Valve is AP approved for use on motor craft fuel lines and is standard with pointer lever and an internal 90° turn stop mechanism to assure positive location of the on and off position. Corrosion proof internal construction assures maximum salt atmosphere protection.

- Port Hole ¼" diameter

Pressure Rating:

Temperature Rating:

Part No.	A	B	C	D
M677C5L	1.88	1.12	1.19	1.63
M677C6L	1.97	1.06	1.16	1.61

Part No.	Hose Bib		MNPT
M677C5L	5/16"	X	1/4"
M677C6L	3/8"	X	1/4"