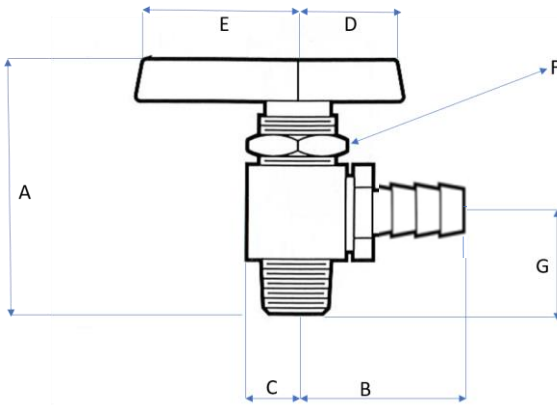


397BV Series

2-Way 90° Instrumentation Valve



Kantleak™ Instrumentation Ball Valves are designed with double O-ring seal providing over 20,000 cycles without leakage and an exclusive stem seal that never needs tightening. Valves can be panel mounted for instrumentation applications.

- ASTM B-16 Corrosion Resistant Brass Body
 - Chrome plated brass ball
 - Blow-out proof stem
 - Quarter Turn Handle for Instantaneous On-Off Operations
- Pressure Rating:
Up to 1,500 P.S.I.

Part No.	A	B	C	D	E	G	F
397BV-4J	2.06	1.33	0.38	0.85	1.15	0.77	0.56
397BV-4L	2.12	1.33	0.38	0.85	1.15	0.83	0.56
397BV-6J	2.06	1.33	0.38	0.85	1.15	0.77	0.56
397BV-6L	2.12	1.33	0.38	0.85	1.15	0.83	0.56
397BV-6N	2.12	1.33	0.38	0.85	1.15	0.9	0.56
397BV-8P	2.18	1.4	0.75	0.85	1.15	1.00	0.56

Part No.	Hose Barb	MNPT
397BV-4J	1/4"	X 1/8"
397BV-4L	1/4"	X 1/4"
397BV-6J	3/8"	X 1/8"
397BV-6L	3/8"	X 1/4"
397BV-6N	3/8"	X 3/8"
397BV-8P	1/2"	X 1/2"